

# HOSE REDUCER



11.5

# HOSE REDUCER

### Material

galvanized steel

### Applications

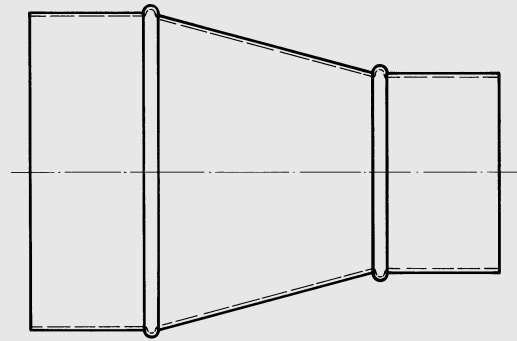
- for extending, connecting and attaching lightweight or medium weight hoses

### Properties

- easy to install
- lightweight
- resistant to corrosion

### Construction

reducer of rolled sheet steel with beadings on both ends



Technical Data, custom designs and forms of delivery see back page

# HOSE REDUCER

(Dia. 1)	(Dia. 2)	S Ga.	L1 (in.)	L2 (in.)	Product code
3" thru 12"	2" thru 10"	24	3.5"	3"	632-080-050 thru 632-300-250

### Delivery forms:

Standard production:

- galvanized steel

Available on request:

- special diameters
- stainless steel

